



(12) **United States Patent**
Librett et al.

(10) **Patent No.:** **US 9,375,543 B2**
(45) **Date of Patent:** **Jun. 28, 2016**

(54) **SYSTEMS AND METHODS FOR PROVIDING
LOW-NOISE POSITIVE AIRWAY PRESSURE**

(71) Applicants: **Kevin Scott Librett**, Watertown, MA
(US); **Karl R Leinsing**, Dover, NH (US)

(72) Inventors: **Kevin Scott Librett**, Watertown, MA
(US); **Karl R Leinsing**, Dover, NH (US)

(73) Assignee: **Human Design Medical, LLC**, Allston,
MA (US)

(*) Notice: Subject to any disclaimer, the term of this
patent is extended or adjusted under 35
U.S.C. 154(b) by 0 days.

(21) Appl. No.: **14/216,902**

(22) Filed: **Mar. 17, 2014**

(65) **Prior Publication Data**

US 2014/0299406 A1 Oct. 9, 2014

Related U.S. Application Data

(60) Provisional application No. 61/798,367, filed on Mar.
15, 2013, provisional application No. 61/798,541,
filed on Mar. 15, 2013, provisional application No.
61/798,462, filed on Mar. 15, 2013.

(51) **Int. Cl.**

F24F 13/24 (2006.01)
A61M 16/00 (2006.01)
A61M 16/08 (2006.01)
A61M 16/10 (2006.01)

(52) **U.S. Cl.**

CPC **A61M 16/0078** (2013.01); **A61M 16/0066**
(2013.01); **A61M 16/0069** (2014.02); **A61M**
16/08 (2013.01); **A61M 16/0816** (2013.01);
A61M 16/0858 (2014.02); **A61M 16/0875**
(2013.01); **A61M 16/107** (2014.02); **A61M**
16/0063 (2014.02); **A61M 2016/0027**
(2013.01); **A61M 2205/0238** (2013.01); **A61M**

2205/3355 (2013.01); **A61M 2205/42**
(2013.01); **A61M 2205/50** (2013.01); **A61M**
2205/502 (2013.01); **A61M 2205/505**
(2013.01); **A61M 2205/75** (2013.01); **A61M**
2205/8206 (2013.01); **A61M 2207/00** (2013.01)

(58) **Field of Classification Search**

CPC F24F 13/24
USPC 181/224
See application file for complete search history.

(56) **References Cited**

U.S. PATENT DOCUMENTS

2,176,319 A * 10/1939 Anderson 454/236
4,905,789 A * 3/1990 Francis 181/224
6,158,082 A * 12/2000 Beckey et al. 15/326
6,342,005 B1 * 1/2002 Daniels et al. 454/338
2008/0257346 A1 * 10/2008 Lathrop et al. 128/204.17
2009/0178879 A1 * 7/2009 Park et al. 181/224
2011/0200426 A1 * 8/2011 Takano 415/119
2014/0299130 A1 * 10/2014 Librett et al. 128/204.18
2015/0176860 A1 * 6/2015 Hattan et al. 181/224

FOREIGN PATENT DOCUMENTS

JP 06118966 A * 4/1994 G10K 11/16

* cited by examiner

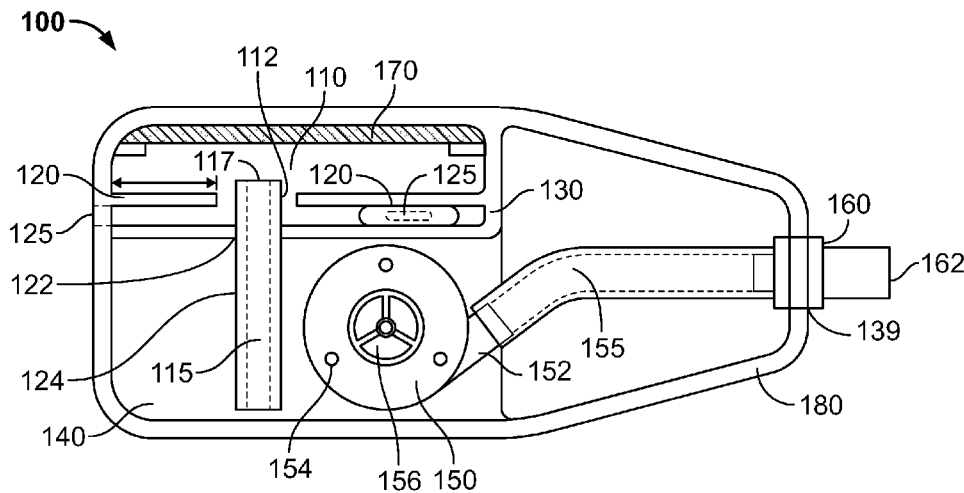
Primary Examiner — Forrest M Phillips

(74) *Attorney, Agent, or Firm* — Ascentage Patent Law,
LLC; Travis Lee Johnson; David S. Einfeldt

(57) **ABSTRACT**

The systems and methods described herein include a low-
noise apparatus for providing positive air pressure to a
patient. The systems may include a housing with an inlet port,
a vibrationally isolated blower unit positioned in an acoustic
chamber, and an outlet port for delivery of the pressurized air
from the blower unit. The acoustic chamber may include
noise attenuators, such as walls, which adjust airflow so as to
reduce the overall noise output of the system.

26 Claims, 8 Drawing Sheets



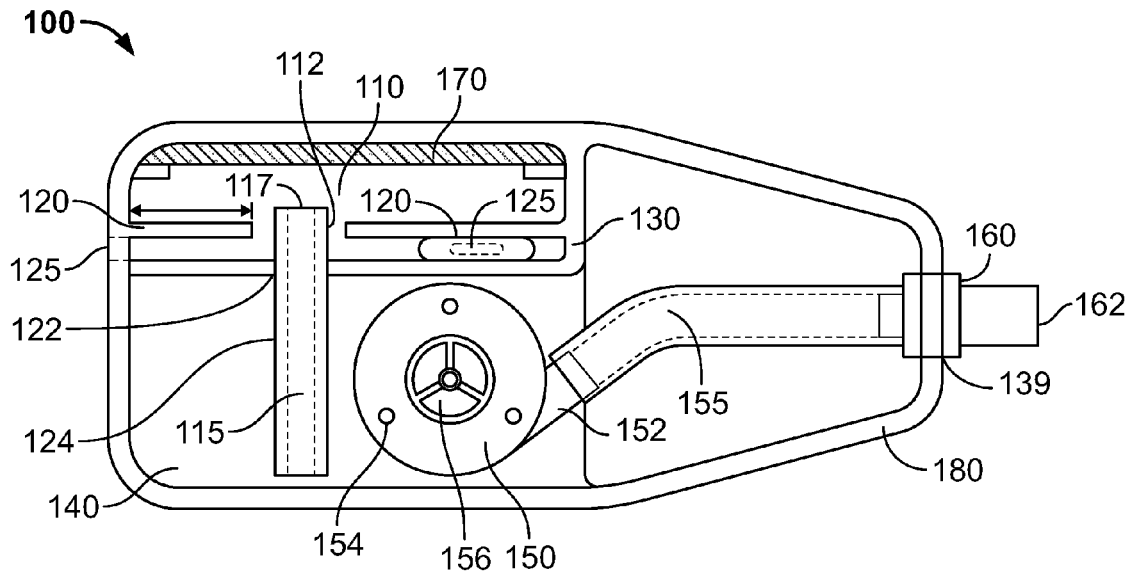


FIG. 1

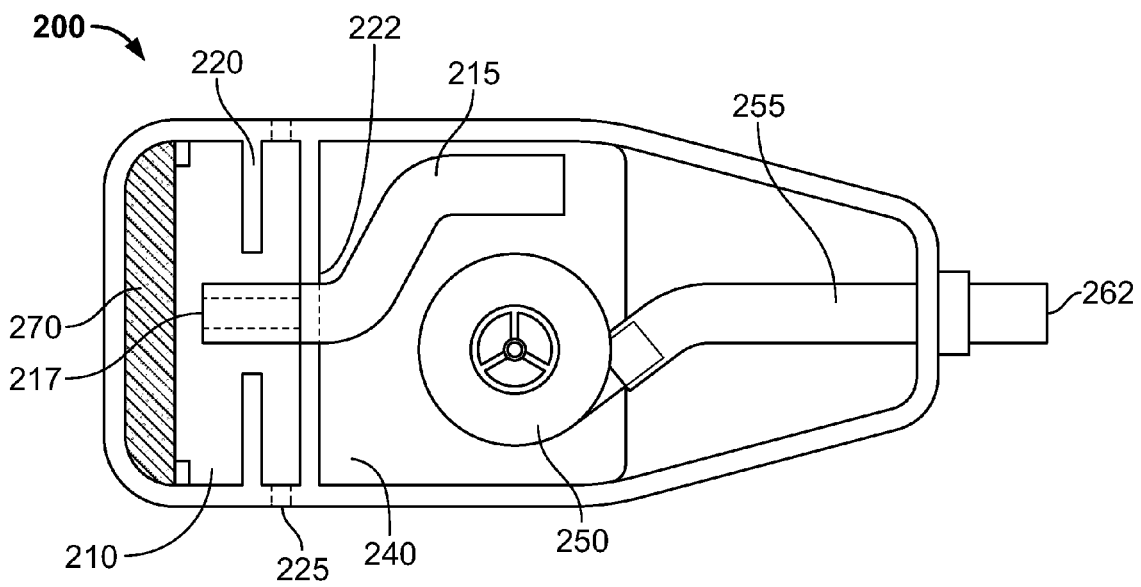


FIG. 2A

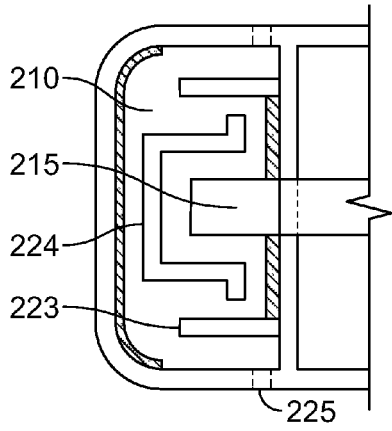


FIG. 2B

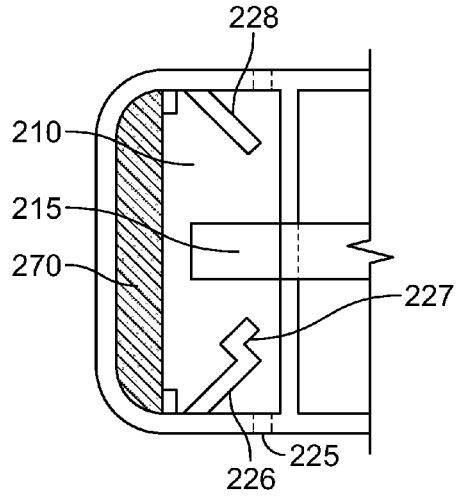


FIG. 2C

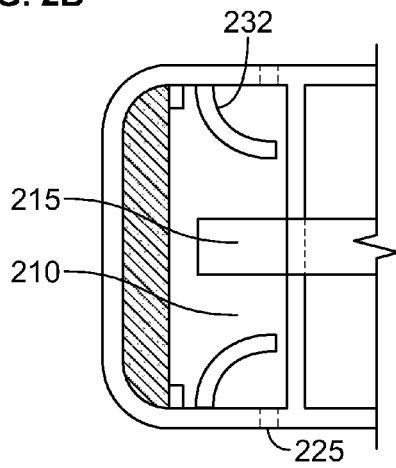


FIG. 2D

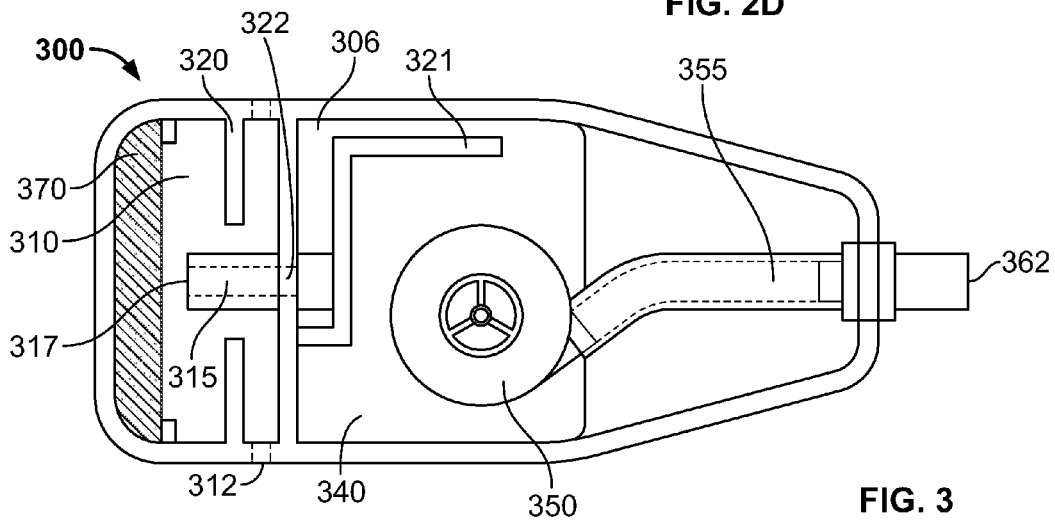


FIG. 3

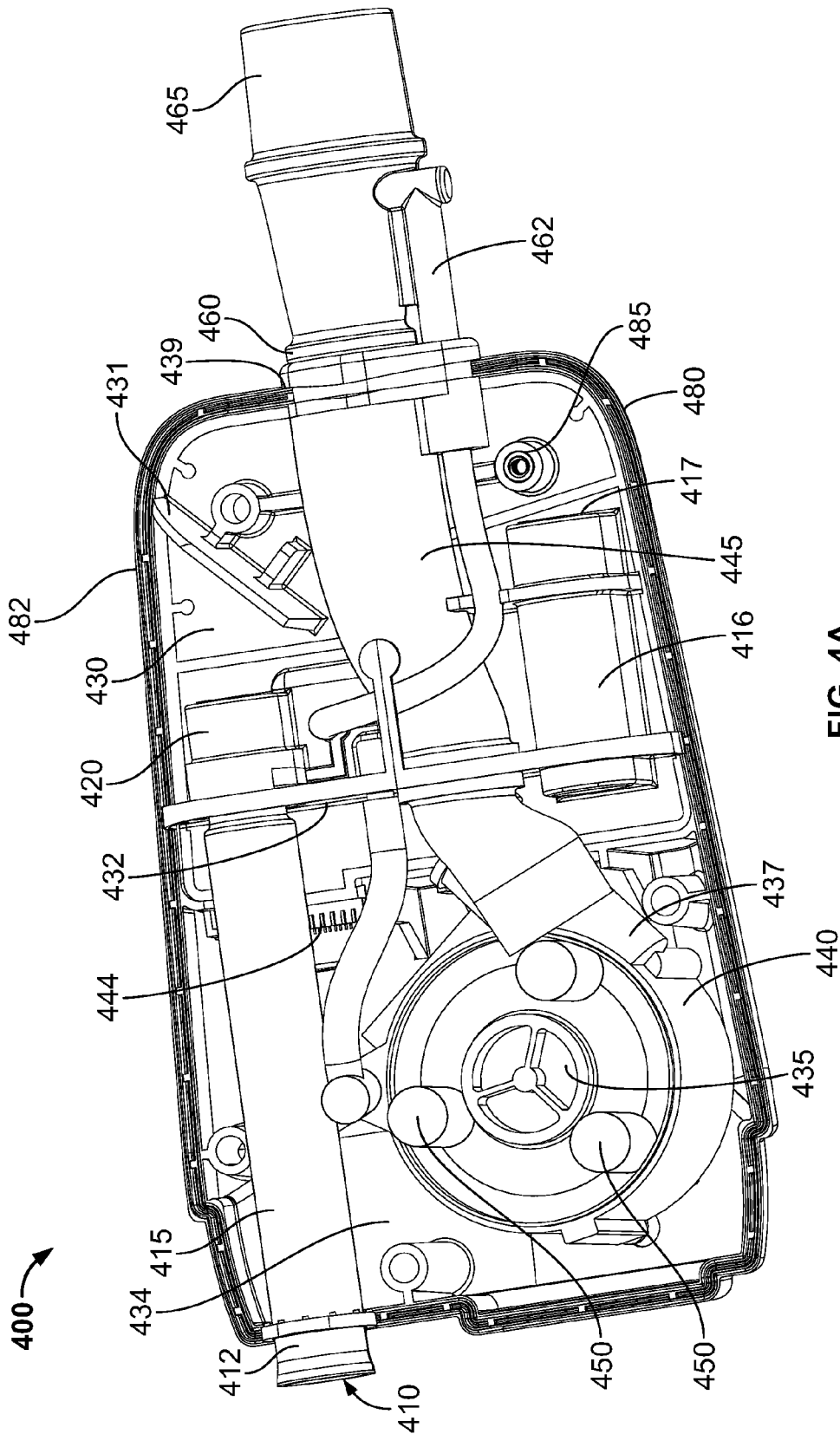


FIG. 4A

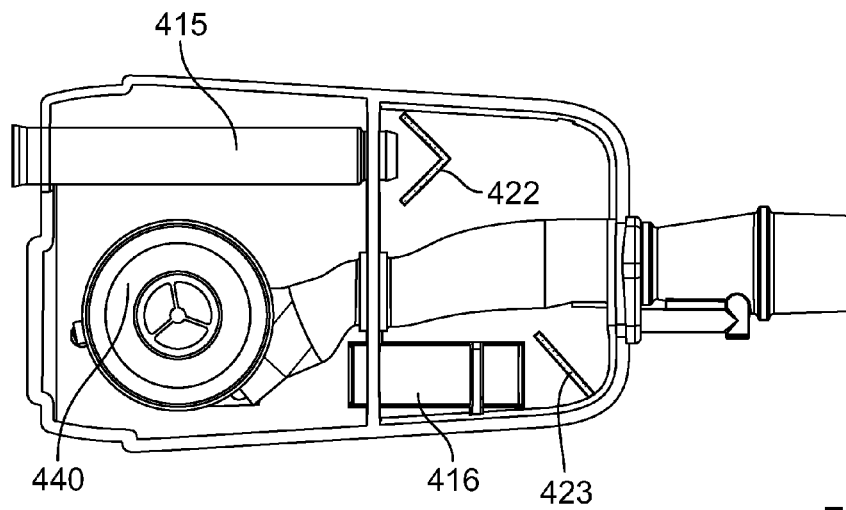


FIG. 4B

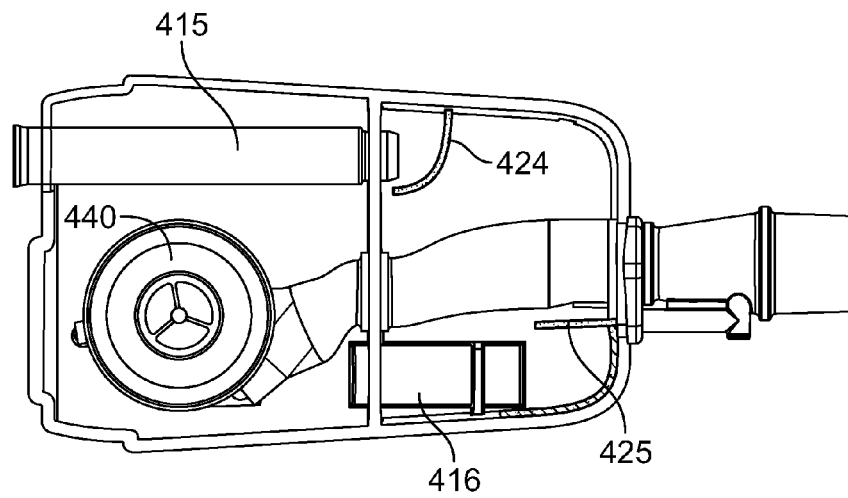


FIG. 4C

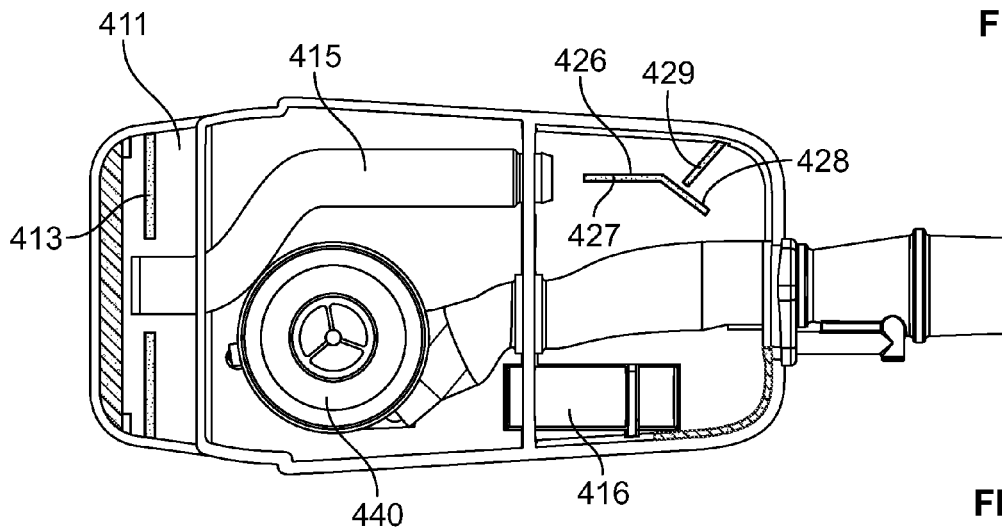


FIG. 4D

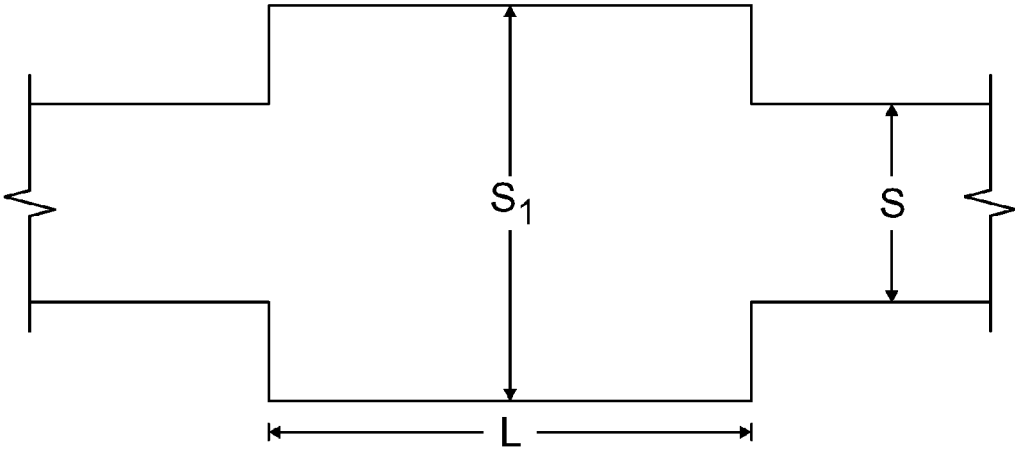


FIG. 5

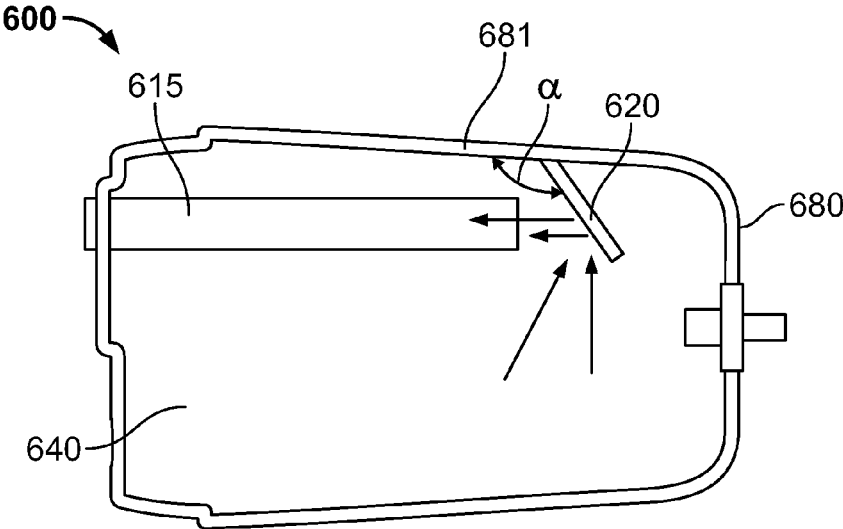


FIG. 6
(Prior Art)

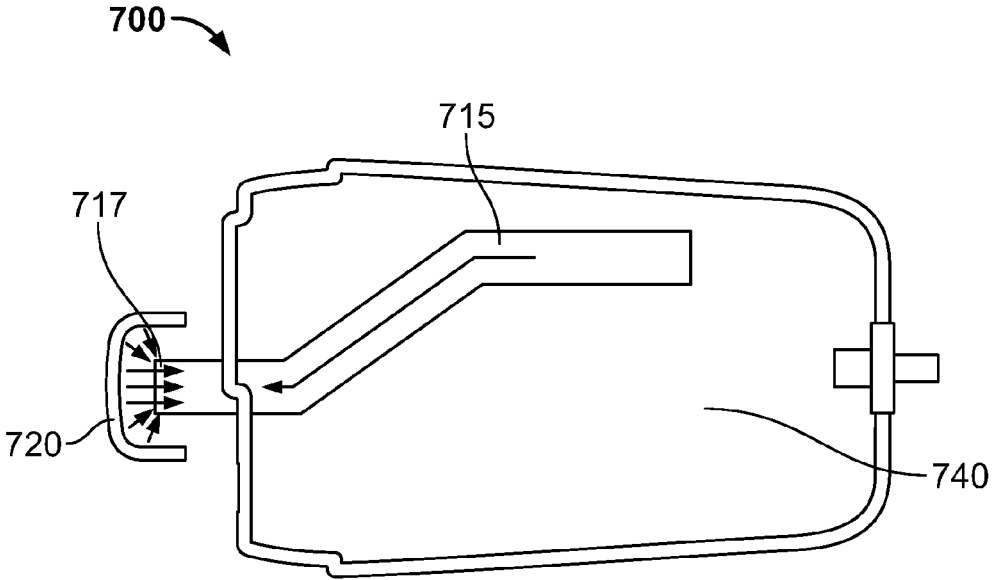


FIG. 7A

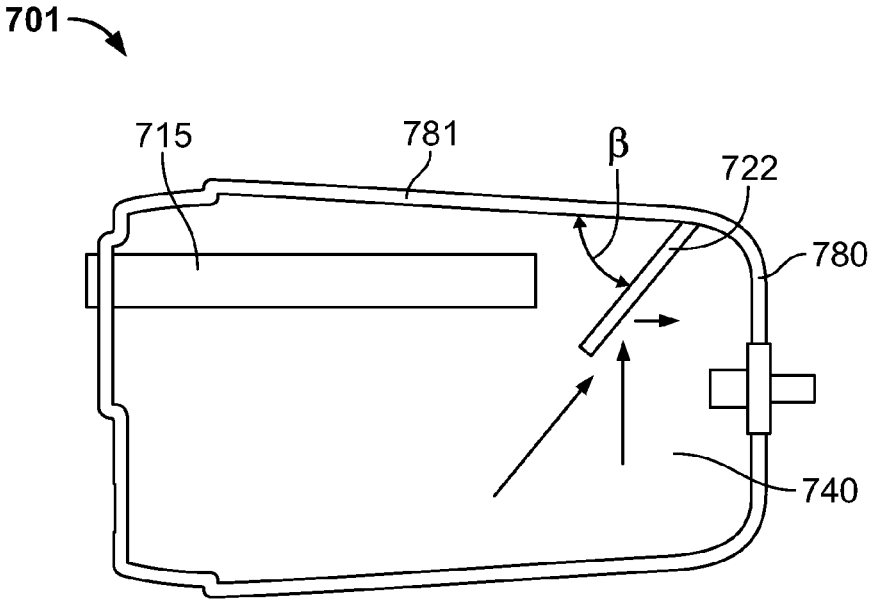


FIG. 7B

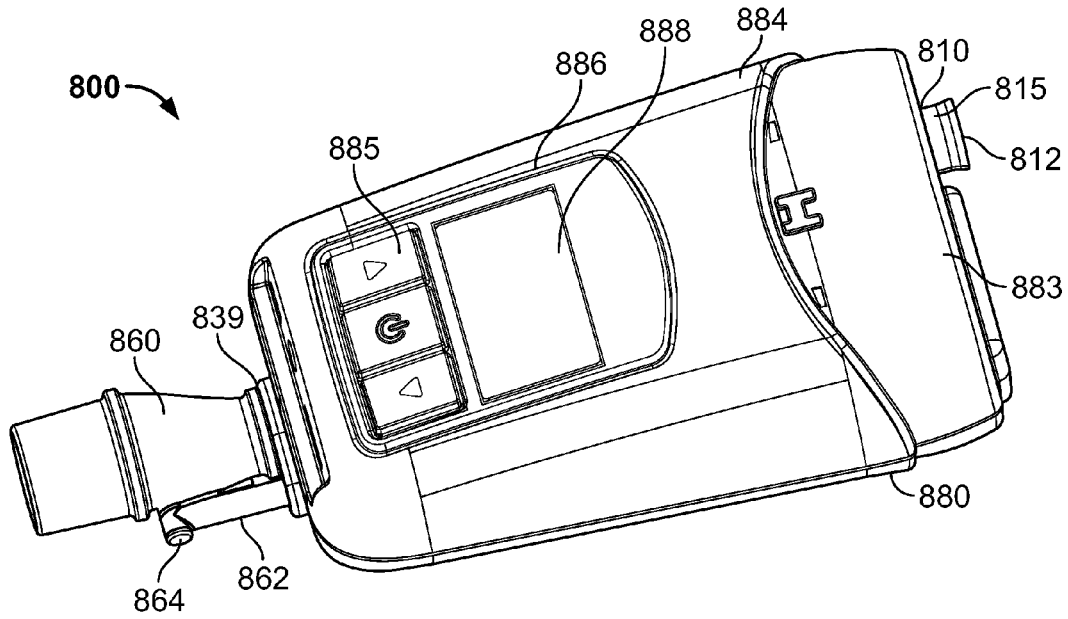


FIG. 8A

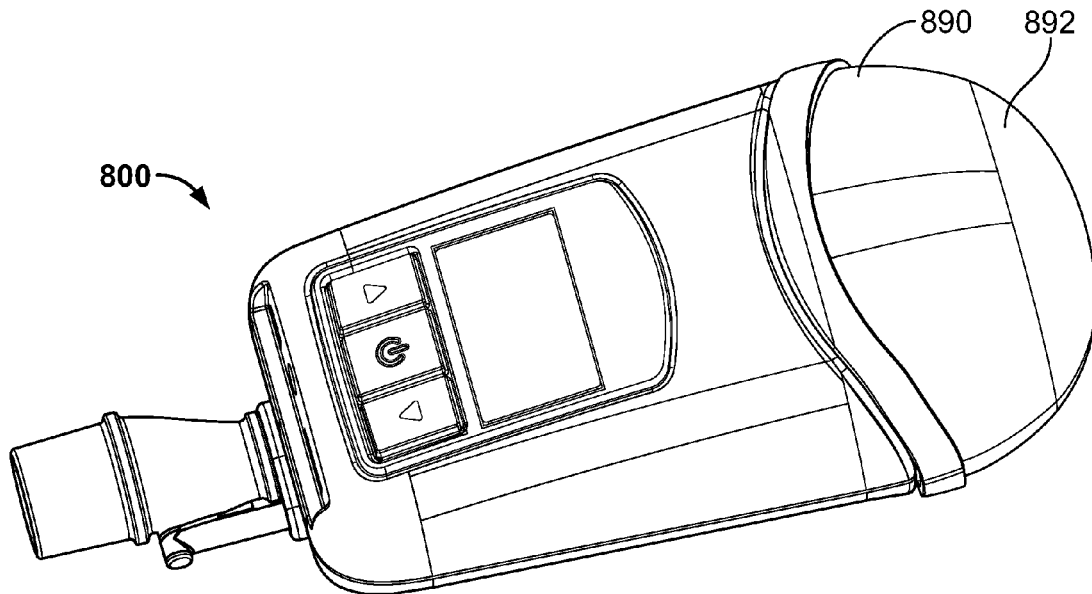


FIG. 8B

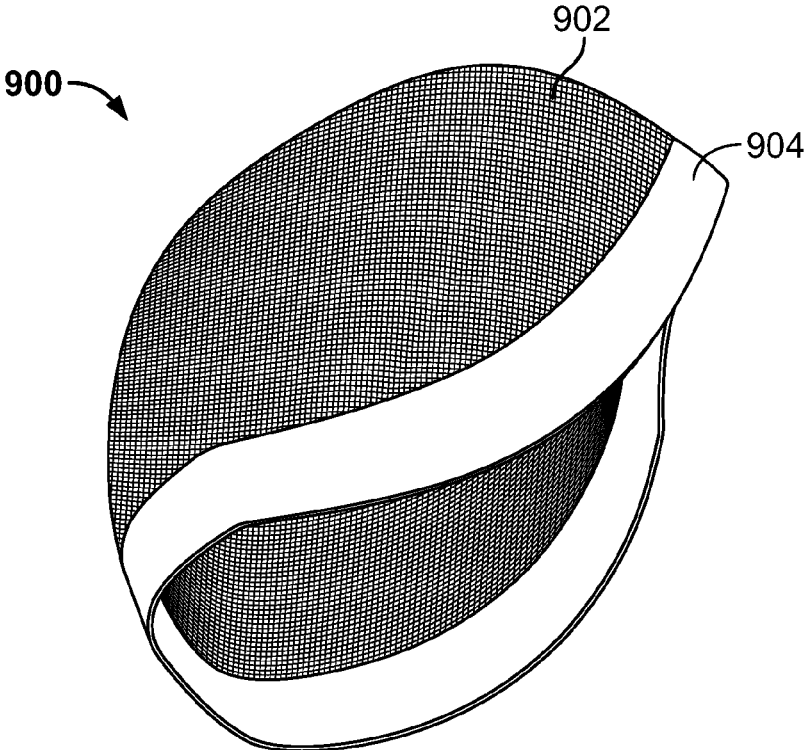


FIG. 9A

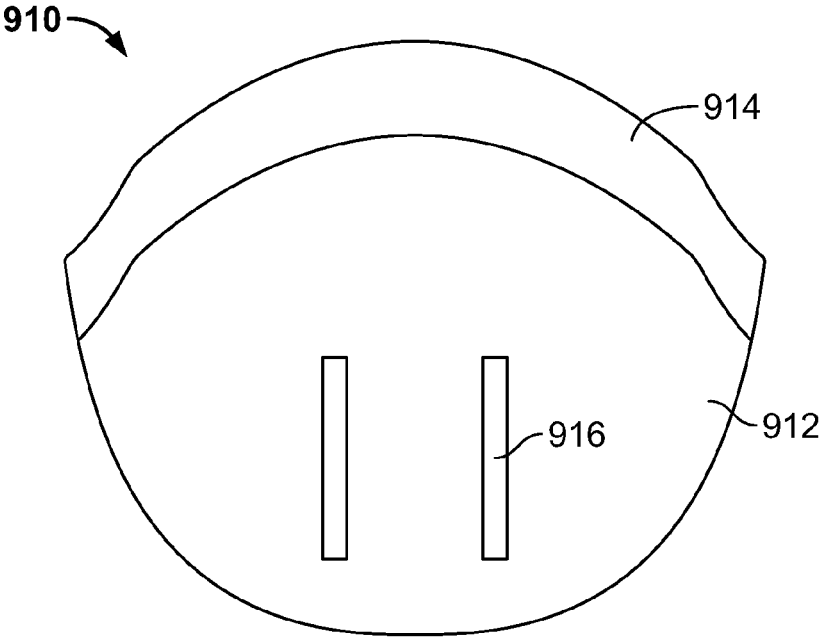


FIG. 9B

**SYSTEMS AND METHODS FOR PROVIDING
LOW-NOISE POSITIVE AIRWAY PRESSURE**CROSS-REFERENCE TO RELATED
APPLICATIONS

This application claims the benefit of U.S. Patent Application 61/798,367 filed on Mar. 15, 2013; U.S. Patent Application 61/798,541 filed on Mar. 15, 2013 and U.S. Patent Application 61/798,462 filed on Mar. 15, 2013 which are incorporated herein by reference.

COPYRIGHT STATEMENT

A portion of the disclosure of this patent application document contains material that is subject to copyright protection including the drawings. The copyright owner has no objection to the facsimile reproduction by anyone of the patent document or the patent disclosure as it appears in the Patent and Trademark Office file or records, but otherwise reserves all copyright rights whatsoever.

BACKGROUND OF THE INVENTION

1. Field of the Invention

The present invention relates to a positive airway pressure [PAP] devices, such as continuous positive airway pressure [CPAP] devices, and more particularly a method for attenuating the noise released therefrom.

2. Description of the Prior Art

It is known that applying a CPAP device to a patient may prevent upper airway occlusion during sleep. CPAP devices have become the apparatus of choice for the treatment of chronic sleep apnea, chronic pulmonary obstruction and snoring. Many CPAP machines are readily available in the marketplace.

A typical CPAP system generally includes a bedside generator comprising, a blower unit powered by an electric motor. The blower unit, the motor, and associated controls are usually encased together within the bedside generator. A delivery tube, usually a flexible plastic tube having a proximal end and a distal end, is used to deliver pressurized air or other gasses to the patient. The proximal end of the delivery tube is connected to the bedside generator and the distal end of the delivery tube is fitted to the face of a patient. The patient interface may include features that allow the patient interface to be affixed to the patient and maintain a proper orientation with respect to the patient.

Bedside CPAP machines are typically large and heavy. They are usually plugged into a wall outlet for power or have a large external battery. The size, weight, and power constraints can interfere with patients' ability and willingness to use the machine. For example, these constraints can make it difficult to utilize the CPAP apparatus in areas away from their bedside or while traveling. Additionally, these constraints can also prohibit patients from moving freely during sleep, thereby inducing further discomfort.

Furthermore, typical CPAP devices are relatively loud and can interfere with a patient's sleep or the sleep of other people nearby. In a typical CPAP device, sound may be propagated from various locations and actions of the device, such as the flow of air the flow of air into and out of the device or the operation of the motor and fan. Because the apparatus is used mainly in a bedroom or other place having a low ambient noise level to facilitate sleep, it is important that the blower operates quietly so as not to disturb the patient or others in close proximity while they sleep.

A need therefore exists for PAP devices with size, weight, and sound characteristics that provide improved usability for patients.

SUMMARY OF THE INVENTION

The system and methods described herein provide a CPAP apparatus that can be held and operated in one hand, is portable, and is quieter than 30 decibels (dBA) while in operation.

In an exemplary embodiment, the current application discloses a CPAP apparatus having an air intake attenuator comprising: an intake attenuation chamber defining at least one intake slot; an acoustic chamber having an inlet port and at least one acoustic deflector; a motor or blower that is placed within the acoustic chamber, wherein vibrations from the motor or blower are isolated or substantially isolated from the single chamber; and in some embodiments a dissipative element that may be added to further attenuate the amount of noise heard by the patient.

A noise attenuating system for use with ventilation or other systems providing a flow of gas comprising an expansion chamber having a volume; an intake tube having an inlet and outlet port separated by a length, wherein a portion of the inlet port extends outside of the expansion chamber; and a noise attenuator having a bottom and protruding sidewall forming a cavity, wherein the noise attenuator is positioned over the inlet portion of the intake tube such that a portion of the intake tube extends into the cavity portion of the noise attenuator.

The system may further include the intake tube having a length that ranges from 0.25 inches to 3.5 inches.

The system may further comprise a plurality of acoustic deflectors disposed within the cavity portion of the noise attenuator.

The system may include at least one deflector that extends from the sidewall and is aligned substantially parallel to the bottom of the noise attenuator.

The system may further include at least one deflector that extends from the sidewall and is angled into the cavity of the noise attenuator.

The system may further comprise a noise dissipating element disposed within the cavity portion of the noise attenuator.

The system may further include a noise dissipating element that is a porous material and at least one acoustic deflector that is covered by a noise dissipating material. The expansion chamber may have an acoustic deflector positioned near the outlet portion of the intake tube the acoustic deflector is angled with respect to a plane defining the outlet portion of the intake tube. In some cases the system include positioning the back-side of the acoustic deflector to deflect noise emanating from a region within the expansion chamber having the greatest noise intensity, wherein the noise is deflected away from the outlet port of the intake tube.

These and other embodiments are described in more detail herein.

BRIEF DESCRIPTION OF THE DRAWINGS

The foregoing and other objects, aspects, features, and advantages of the disclosure will become more apparent and better understood by referring to the following description taken in conjunction with the accompanying drawings, in which:

FIG. 1 illustrates the interior of a portable PAP apparatus; and

FIG. 2A depicts an interior view of a portable CPAP apparatus; and

FIGS. 2B-D illustrate configurations of chamber configurations; and

FIG. 3 depicts an example of the interior of a portable PAP apparatus; and

FIG. 4A illustrates a perspective view a portable dual-chamber PAP apparatus; and

FIGS. 4B-D illustrate additional embodiments of possible attenuator configurations; and

FIG. 5 illustrates the relationship between the area of an inlet port and a tube or chamber for reducing noise; and

FIG. 6 illustrates a configuration of a PAP device; and

FIG. 7A and FIG. 7B illustrate additional embodiments of possible configurations of a PAP device; and

FIG. 8A and FIG. 8B illustrate a PAP device with an acoustically invisible cover; and

FIGS. 9A-B depict an acoustically invisible cover.

DETAILED DESCRIPTION OF THE PREFERRED EMBODIMENT

To provide an overall understanding of the systems, devices, and methods described herein, certain illustrative embodiments will be described. Although the embodiments and features described herein are frequently described for use in connection with CPAP apparatuses, systems, and methods, it will be understood that all the components, mechanisms, systems, methods, and other features outlined below may be combined with one another in any suitable manner and may be adapted and applied to other PAP apparatuses, systems, and methods, including, but not limited to, automatic positive airway pressure devices [APAP], variable positive airway pressure devices [VPAP], bi-level positive airway pressure devices [BPAP], and related apparatuses, systems, and methods.

Bedside CPAP machines are typically large, heavy, and noisy. The systems and methods described herein are directed towards a small, quiet, light-weight, and portable CPAP device to overcome these current limitations and disadvantages. For example, the systems and methods described herein provide a PAP apparatus that is quieter than 30 decibels (dBA) while in operation. In certain approaches, the PAP apparatus can be held and operated in one hand and is portable.

FIG. 1 depicts the interior of a PAP apparatus, such as a CPAP device. CPAP device 100 has a lower housing component 180, which together with an upper housing component (not shown) defines a sealed chamber 140. PAP apparatus 100 includes an intake chamber 110 positioned on a side or back of apparatus 100.

Intake chamber 110 serves to prevent the occlusion of inlet port 122 during use of device 100. Intake chamber 110 may also reduce the acoustic output or noise of apparatus 100. For example, intake chamber 110 includes foam 170 to reduce acoustic output of apparatus 100. Although foam is described, any dissipative element could be used. Dissipative elements may include anechoic materials such as foam, rubber, clay, silicon, or any other suitable soft and/or porous materials. Additionally or alternatively, apparatus 100 includes intake vents 125, through which air may flow. In the depicted example, intake vents 125 are positioned at the side, top, and/or bottom of apparatus 100.

Both the attenuation intake chamber and the acoustic chambers may be designed to reduce the amount of noise

released from the CPAP device during operation. Intake chamber 110 includes sound attenuators 120 positioned within intake chamber 110. For purposes of the systems and methods described herein, an attenuator may refer to any of a plane, bar, circular, semi-circular, sphere, cone, or other mechanism configured to deflect, absorb, weaken and/or reduce a sound wave.

Although two attenuators 120 are depicted in FIG. 1, any number of attenuators may be used. In some embodiments, the upper and lower housing components and/or the chamber wall 130 define a plurality of attenuators 120 extending therefrom. For example, the flow path defined by attenuators 120 in FIG. 1 includes one right-angle turn. In additional embodiments however, the upper and lower housing components may define a variety of attenuators. For example, the housing components may be configured such that the flow path defines any number of turns each of any angular dimension (e.g., sixty degrees, ninety-degrees, one-hundred-eighty degrees, etc.) and any combination of vertical and horizontal turns. While the attenuator 120 may divert the airflow pathway and thereby create additional broadband noise, the primary purpose of the attenuator(s) is to reduce the amount of noise exiting the CPAP device. In embodiments having more than one attenuator 120, each of attenuator 120 may have the same size and length, and may be defined by the housing components to have the same or substantially similar angles relative to the inlet port, chamber wall, and/or housing components. Alternatively, each attenuator 120 may have different sizes, shapes, and/or lengths. Further, each attenuator 120 may be oriented having varying angles relative to the inlet port chamber wall, and/or housing components and in some instances one or more attenuators 120 may partially or substantially surround the inlet port 122. In certain approaches, one side of chamber 110 may have more attenuators 120. Additionally or alternatively, chamber 140 may include attenuators 120.

Sealed chamber 140 has an inlet port 122 and an outlet port 139. Inlet port 122 is positioned in wall 130, which separates intake chamber 110 and sealed chamber 140. A motor or blower 150 is placed within the chamber 140. An intake tube 115 extends from intake chamber 110, through inlet port 122, and into acoustic chamber 140. Intake tube 115 includes opening 117 to enable air flow from intake chamber 110 into acoustic chamber 140. Although depicted as straight, intake tube 115 may include any number of turns.

In some embodiments, foam or another anechoic material may be placed within chamber 130 to further attenuate noise produced during the operation of device 100. The anechoic or noise attenuating material may be secured at specific locations within each chamber. In additional embodiments, the lower and/or upper housing components may be lined with an anechoic or noise attenuating material. In such embodiments, the anechoic or noise attenuating material may include foam, rubber, clay, silicon, or any other suitable soft and/or porous materials.

In certain embodiments, blower 150 is secured to chamber 140 using one or more mount connects 154. In some embodiments, the mount connects may further comprise pivoting cone connectors, circular donut shaped mount connects, a silicone cradle, or any combination thereof. For example, the mount connects may comprise pivoting cone connectors that connect the top of blower 150 within chamber 140 and circular donut shaped mount connects that connect the bottom of blower 150 within chamber 140. In addition to connecting blower 150 to the housing, mount connects 154 may reduce or eliminate transfer of vibrations from the blower to other components of device 100. In certain embodiments, blower 150 is a brushless air-bearing motor.

5

In certain embodiments, inlet port **122** includes an intake tube **115** having a first end **112** through wall **130** and a second end **124** that extends into chamber **140**. Intake tube **115** may have either a constant or varying internal diameter ranging from approximately 0.25 inches to approximately 0.75 inches and may have a length ranging from approximately 0.25 inches to approximately 3 inches, although any appropriate diameter and length may be used. The length and diameter of intake tube **115** affect the overall noise attenuation of the CPAP device, as will be further discussed below, for example, in relation to FIG. **2** and equation 1 and equation 2. Accordingly, in some approaches, the dimensions of intake tube **115** are proportionally related to the volume of chamber **140**.

Intake tube **115** may be formed using rigid materials, flexible materials, or any combination thereof. For example, intake tube **115** may be formed using a hard plastic. In certain embodiments, intake tube **115** is composed of flexible polyvinylchloride (PVC) tubing, silicone tubing, or any other type of tubing commonly used in the art.

In certain approaches, outlet port **139** includes outlet tube **155**, which extends from blower outlet **152** and through the housing, such as lower housing **180**. An adapter **160** may be used to connect the blower outlet tube **145** to a patient interface, such as mask that can be coupled to the airways (e.g., nose and mouth) of a patient. In embodiments having adapter **160**, adapter **160** may be solitary in construction. Additionally or alternatively, adapter **160** may be configured so that a proximal portion of adapter **160** is secured and sealed to the housing of device **100**, while a distal portion of the adapter **160** extends outward from device **100**. In such an embodiment, lower housing component **180** and the upper housing component may each include a detent capable of accepting a portion of the adapter, whereby the two housing components together form a seal around the circumference of a portion of the adapter.

Outlet tube **155** may also vary in length and diameter. The length of the blower outlet tube **155** is long enough to connect to outlet **152** of blower **150** through outlet port **139**. Outlet tube **155** provides a sealed airway between blower **150** and adapter **160**. Additionally, depending on the dimensions of the blower **150**, the inner diameter of the outlet tube **155** may vary so long as the diameter is large enough to fit over and seal with outlet **152** and adapter **160** and/or a patient interface system, such as tubing and a delivery mask. Outlet tube **155** may be formed using rigid materials, flexible materials, or any combination thereof. For example, outlet tube **155** may be formed using a hard plastic. In certain embodiments, outlet tube **55** is composed of flexible polyvinylchloride (PVC) tubing, silicone tubing, or any other type of tubing commonly used in the art.

In certain embodiments, intake chamber **110** may include a filter to clean the air of particulate matter. In certain embodiments, intake chamber **110** is removable from chamber **140** and other components of device **100** so that chamber **110** may be cleaned, replaced, or adapted for a particular need. For example, various types of filters may be used depending on a patient's health needs. A filter may not be required for all patients, may be replaceable, or may be cleaned.

During operation, PAP device **100** creates positive air pressure through outlet port **139**. For example, when a patient interface, such as a mask, is attached, PAP device **100** creates positive air pressure, which can be provided to the patient when the patient places the patient interface at his or her airways (e.g., nose or mouth). Blower **150** includes intake **156**. When blower **150** is powered on, blower **150** intakes air through intake **156** and pushes out that air through outlet **152**. The reduced pressure at intake **156** causes air to flow through

6

vents **125**, into chamber **110**, through inlet port **122** via tube **115**, and into chamber **130**, where it then flows into intake **156** of blower **150**. Blower **150** then pushes air through outlet **152**, through outlet tube **155**, and through outlet port **139** to thereby provide positive air pressure through outlet port **139**, for example, through hole **162** of adapter **160**. In certain approaches, the pressurized air is delivered a pressure ranging from approximately 2 centimeters (cm) of water to approximately 40 cm of water above atmospheric pressure at the point of use, although any appropriate pressure may be used.

FIG. **2** depicts the interior of a portable PAP apparatus **200**. PAP apparatus **200** includes an attenuation intake chamber **210** with sound attenuators **220** positioned within intake chamber **210**. In certain approaches, intake chamber **210** includes foam **210** to the reduce acoustic output or noise of apparatus **200**. Although foam is described, any dissipative element could be used. Dissipative elements may include anechoic materials such as: foam, rubber, clay, silicon, or any other suitable soft and/or porous materials. Additionally or alternatively, apparatus **200** includes intake vents **225**, through which air may flow.

PAP apparatus **200** has an acoustic chamber **240** with an inlet port **222** coupled to intake chamber **210**. An intake tube **215** extends from intake chamber **210**, through inlet port **222**, and into acoustic chamber **240**. Intake tube **215** includes opening **217** to enable air flow from intake chamber **402** into acoustic chamber **240**. When in operation, blower **150** is powered on and pulls air through vents **225**, into opening **217**, through tube **215**, and into blower **250**. Blower **250** then pushes air through outlet tube **255** and through opening **262** into a patient interface, such as a respiratory mask.

The size and location of intake tube **215** and opening **217** may be determined based on the location and size of the attenuators **220**. For example, opening **217** may have a diameter of approximately 0.5 inches and intake tube **215** may extend into attenuating intake chamber **210** approximately 0.875 inches beyond attenuators **220**. In certain embodiments, the diameter of opening **217** along the length of intake tube **215** varies in diameter, for example, from approximately 0.25 inches to 0.75 inches. In certain embodiments, intake tube **215** extends into attenuating intake chamber **210** so that opening **217** is substantially even with attenuators **220**. In certain approaches, intake tube **215** extends past attenuators **220** by more than approximately 1 inch.

FIGS. **2B-D** illustrate additional embodiments of device **200** with additional or alternative configurations of attenuators for reducing noise output. FIG. **2B** depicts device **200** with attenuators **223** that are configured approximately parallel to intake tube **215**. FIG. **2B** also shows an end cap attenuator **224**, which extends partially around intake tube **215**, but does not directly contact intake tube **215**. FIG. **2C** depicts angled attenuators **226** and **228**. Attenuators **226** and **228** extend at an angle relative to the side walls of device **200** and, in this example, relative to the intake tube **215**. Attenuator **226** also includes an "L" extension **227**, which extends from the distal end of attenuator **226**. FIG. **2D** shows curved attenuators **232**. Each type of attenuator (**220**, **223**, **224**, **226**, **228**, and **232**) alters the flow of air from vent **225** to blower **250**. They can be used individually or in any combination. Additionally, attenuators of other shapes may also be used, such as those with additional curves, different angles, additional extensions, and combinations of curves and linear portions. The attenuators are used to create unique air flow paths, which also have the important effect of altering and reducing the noise properties of device **200**.

FIG. **3** depicts the interior of a portable PAP apparatus **300**. PAP apparatus **300** includes an attenuation intake chamber

310 with sound attenuators **320** positioned within intake chamber **310**. In certain approaches, intake chamber **310** includes foam **370** to reduce the acoustic output of apparatus **300**. Although foam is described, any dissipative element could be used. Dissipative elements may include anechoic materials such as: foam, rubber, clay, silicon, or any other suitable soft and/or porous materials. Additionally or alternatively, apparatus **300** includes intake vents **312**, through which air may flow.

PAP apparatus **300** has an acoustic chamber **340** coupled to intake chamber **310** via inlet port **322**. In certain approaches, apparatus **300** includes a first intake tube **315** extending into intake chamber **310**. Apparatus **310** includes a barrier **321** within chamber **340**, which forms flow space **306**, which is in fluid communication with first intake tube **315**. As depicted, flow space **306** can have turns or bends. Barrier **321** may be configured such that flow space **306** defines any number of turns, wherein each turn has of any angular dimension (e.g., sixty degrees, ninety-degrees, one-hundred-eighty degrees, etc.) and any combination of vertical and horizontal turns. In certain approaches, barrier **321** is firm and inflexible. When in operation, blower **350** is powered on and pulls air through vents **312** into opening **317** of intake tube **315**, through tube **315**, through inlet port **322**, through flow space **306**, into acoustic chamber **340**, and into blower **350**. Blower **350** then pushes air through outlet tube **355** and through opening **362** into a patient interface, such as a respiratory mask.

FIG. 4 depicts the interior of a dual chamber PAP apparatus **400**. CPAP device **400** has a lower housing component **480**, which together with an upper housing component (not shown) defines a first sealed chamber **430** and a second sealed chamber **434** separated by wall **432**. First sealed chamber **430** has an inlet port **410** with intake tube **415**, which extends through housing **480**, through second chamber **434**, and through wall **432** into first chamber **430**. A first portion **412** of tube **415** is outside housing **480** and a second portion **420** is inside sealed chamber **430**. In some embodiments, the first chamber may further include a noise attenuator **431** positioned within the airflow path from portion **420** of intake tube **415**.

Device **400** includes an interchamber port **417**, which allows air to flow from the first chamber **430** to the second chamber **434**. In certain approaches, interchamber port **417** includes a tube **416**, which extends from first chamber **430**, through chamber wall **432**, and into second chamber **434**.

The first and second chambers are separated by a chamber wall **432**. In some embodiments, chamber wall **432** may be formed on lower housing and/or the upper housing (not depicted). In certain approaches, chamber wall **432** is solitary in construction with the housing. Additionally or alternatively, chamber wall **432** may be secured to the respective housing components with an adhesive or glue. Additionally, chamber wall **432** may be formed from an anechoic material such as foam, rubber, clay, silicon, or any other suitable soft and/or porous materials. In certain embodiments, chamber wall **432** may be formed using a rigid material, such as a hard plastic.

A motor or blower **440** is located within second chamber **434**. In certain embodiments, blower **440** is secured to chamber **434** using one or more mount connects **450**. In some embodiments, the mount connects may further comprise pivoting cone connectors, circular donut shaped mount connects, a silicone cradle, or any combination thereof. For example, the mount connects may comprise pivoting cone connectors that connect the top of blower **440** within chamber **434** and circular donut shaped mount connects that connect the bottom of blower **440** within chamber **430**. In addition to con-

necting blower **440** to the housing, mount connects **440** may reduce or eliminate transfer of vibrations from the blower to other components of device **400**. In certain embodiments, blower **440** is a brushless air-bearing motor.

In some embodiments, foam or another anechoic material may be placed within chamber **430** and chamber **434** to further attenuate noise produced during the operation of device **400**. The anechoic or noise attenuating material may be secured at specific locations within each chamber. In additional embodiments, the lower and/or upper housing components may be lined with an anechoic or noise attenuating material. In such embodiments, the anechoic or noise attenuating material may include foam, rubber, clay, silicon, or any other suitable soft and/or porous materials.

In at least one embodiment, the first chamber **430** further comprises an attenuator **431** which may be placed within the chamber directly across from the proximal end **420** of intake tube **415**. Attenuator **431** is positioned within the airflow path to thereby attenuate noise created by the flow of air through chamber **430**. In certain approaches, attenuator **431** is angled toward the intake tube having an acute angle relative to the housing component. In certain approaches, device **400** includes a plurality of attenuators. In certain approaches, device **400** includes at least attenuator in second chamber **434**. When a plurality of attenuators are included, each attenuator, such as attenuator **431**, within the chamber **430** or chamber **434** may be oriented in varying angles relative to the end of intake tube **415**, interchamber tube **416**, and/or the housing components. While the attenuators may vary in size, length, quantity, shape, angle, and/or location, they may divert the airflow pathway and thereby create additional broadband noise, the primary purpose of attenuators is to reduce the amount of noise exiting the CPAP device. Attenuators may further comprise a dissipative element, noise attenuating coating, and/or a noise attenuating material attached thereto. For example, attenuator **431** may be composed of or coated with an anechoic or noise attenuating material. The anechoic or noise attenuating material may include foam, rubber, clay, silicon, or any other suitable soft and/or porous materials.

Device **400** additionally includes one or more connector portions **485** to couple lower housing **480** and upper housing together, thereby creating a seal. In the depicted example, the connector portions **485** are around the perimeter of the housing and a fastener, such as a screw, is used to couple the housing. Additionally or alternatively, the edge **482** of the housing may provide a coupling and/or sealing mechanism. For example, edge **482** has a tongue, which may couple to a groove in an upper housing portion. Edge **182** may also include a seal, such as santoprene or silicone.

Intake tube **415** and interchamber tube **416** may have either a constant or varying internal diameter ranging from approximately 0.25 inches to approximately 0.75 inches and may have a length ranging from approximately 0.25 inches to approximately 3 inches, although any appropriate diameter and length may be used. The length and diameter of intake tube **415** affect the overall noise attenuation of the CPAP device, as further discussed in relation to FIG. 5 and equation 1 and equation 2. Accordingly, in some approaches, the dimensions of intake tube **415** and interchamber tube **416** are proportionally related to the volume of chamber **430**.

Intake tube **415** and interchamber tube **416** may be formed using rigid materials, flexible materials, or any combination thereof. For example, intake tube **415** and interchamber tube **416** may be formed using a hard plastic. In certain embodiments, intake tube **415** and interchamber tube **416** are composed of flexible polyvinylchloride (PVC) tubing, silicone

tubing, or any other type of tubing commonly used in the art. Intake tube **415** and interchamber tube **416** may be composed of different materials.

In certain approaches, outlet port **439** includes outlet tube **445**, which extends from blower outlet **437** in second chamber **434**, through wall **432**, through first chamber **430**, and through housing **480**. An adapter **460** may be used to connect the blower outlet tube **445** to patient interface **465**. In embodiments having an adapter, the adapter may be solitary in construction and configured so that a proximal portion of the adapter may be secured and sealed to the housing of device **400**, while a distal portion of the adapter extends outward from device **400**. In such an embodiment, the lower housing component **480** and the upper housing component may each include a detent capable of accepting a portion of the adapter, whereby the two housing components together form a seal around the circumference of a portion of the adapter.

Outlet tube **445** may also vary in length and diameter. The length of the blower outlet tube **445** is long enough to connect to outlet **437** of blower **440** through outlet port **439**. Outlet tube **445** provides a sealed airway between blower **440** and adapter **460** and/or patient interface system **465**. Additionally, depending on the dimensions of the blower **440**, the inner diameter of the outlet tube **445** may vary so long as the diameter is large enough to fit over and seal with outlet **437** and adapter **460** and/or patient interface system **465**. Outlet tube **445** may be formed using rigid materials, flexible materials, or any combination thereof. For example, outlet tube **445** may be formed using a hard plastic. In certain embodiments, outlet tube **445** is composed of flexible polyvinylchloride (PVC) tubing, silicone tubing, or any other type of tubing commonly used in the art.

Apparatus **400** includes a pressure port **462**. Pressure port **462** is coupled to adapter **460**. Pressure port **462** runs through housing **480** into chamber **430**, where pressure port **462** couples to a pressure sensor, such as a pressure sensor on circuitry board **444**. Pressure port **462** provides fluid communication from the output of device **400** at adapter **460** to a pressure sensor coupled to control circuitry. Circuitry board **444** includes control circuitry and control components for the operation of device **400**. Circuitry board **444** may be positioned over or under outlet tube **445**. In certain approaches, circuitry board **444** includes a power sources, such as a power adapter or battery. In certain approaches, the control circuitry on board **444** of device **400** is configured to display the pressure measured through pressure port **462** at a display, such as display **888** depicted in FIG. **8**. In certain embodiments, the pressure output of device **400** may be adjusted manually by the user with user interface buttons. In certain approaches, the control circuitry on board **444** is configured to automatically adjust the output of device **400** based on the pressure measurements. The output of device **400** may be adjusted by modulating the power of blower **440**.

Although not depicted, device **400** may include a cover, such as cover **890**, cover **900**, or cover **910**, described in greater detail below, which covers and prevents the occlusion of inlet port **410**

During operation, PAP device **400** creates positive air pressure through outlet port **439**. For example, when patient interface **465** is attached, PAP device **400** creates positive air pressure, which can be provided to the patient when the patient places the adapter at his or her airways (e.g., nose or mouth). Blower **440** includes intake **435**. When blower **440** is powered on, blower **440** intakes air through intake **435** and pushes out that air through outlet **437**. The reduced pressure at intake **435** causes air to flow through inlet port **410** into chamber **430**, where it then flows through interchamber port

416 into second chamber **434**, and into intake **435** of blower **440**. While in chamber **430**, the air can flow above or below outlet tube **445**. Blower **440** then pushes the air through outlet **437**, through outlet tube **445**, and through outlet port **439** to thereby provide positive air pressure through outlet port **439**. In certain embodiments, air may be initially passed through a pre-intake chamber, such as intake chamber **110** as described in relation with device **100**, before entering inlet port **410**. In certain approaches, the pressurized air is delivered to a patient through a patient interface, such as a respiratory mask, at a pressure ranging from approximately 2 centimeters (cm) of water to approximately 40 cm of water above atmospheric pressure at the point of use, although any appropriate pressure may be used.

Both the first chamber **430** and second chambers **434** may be designed to reduce the amount of noise released from CPAP device **400** during operation. In such embodiments, the chambers may be designed to operate as a high-pass, low-pass, band filter, or a combination thereof. For example, in one embodiment, first chamber **430** may be designed as a low-pass filter, while second chamber **434** is designed as a high-pass filter. In additional embodiments, first chamber **430** and second chamber **434** may both operate as low-pass filters.

In certain approaches, first chamber **430** and second chamber **434** have a combined volume ranging from approximately 200 milliliters (mL) to approximately 485 mL. For example, the combined volume of first chamber **430** and second chamber **434** may be approximately 481 mL. The combined volume of first chamber **430** and second chamber **434** may be approximately 362 mL. The combined volume of first chamber **430** and second chamber **434** may be less than 200 mL.

Additionally or alternatively, first chamber **430** and second chamber **434** may have equivalent volumes. In certain approaches, one of the chambers may have a larger volume than the other chamber. For example, in an embodiment where the combined volume is approximately 270 mL, first chamber **430** may have a volume ranging from approximately 70 mL to approximately 170 mL, and second chamber **434** may have a volume ranging from approximately 100 mL to approximately 200 mL. As an additional example, in an embodiment where the combined volume is approximately 480 mL, first chamber **430** may have a volume ranging from approximately 180 to approximately 240 mL, while second chamber **434** may have a volume ranging from approximately 240 to approximately 300 mL. In some instances, the second acoustic chamber, which houses the blower, is larger than the first acoustic (or expansion) chamber.

As is shown in both Equation 1 and FIG. **5**, inlet port **410** and interchamber port **417** may each have an area that is proportionally related to the volume of chambers **430** and **434** respectively. In other embodiments however, inlet ports may be designed without using Equation 1.

FIG. **4A** illustrates CPAP device **400** that has a lower housing component, which together with an upper housing component (not shown) defines two sealed chambers in series, a first chamber **481** and a second chamber **482**, the chambers being divided by chamber wall **483**. The first chamber has an inlet port **417**, which may further comprise an intake tube **416** that extends from the first chamber to the exterior of CPAP device. In some embodiments, the first chamber may further include an attenuator **420**. The second chamber also has an inlet port **418** which may comprise an intake tube **416** that extends from the first chamber and into the second chamber. In the embodiment shown, the motor or blower is located within the second chamber and may be

vibrationally isolated from the second chamber and/or the upper or lower housing component using mount connects 452.

As shown, the first chamber in FIG. 4A includes an attenuator that is located within the chamber directly across from the proximal end of intake tube 115, the attenuator is angled toward the intake tube having an acute angle relative to the housing component. FIGS. 4B-D illustrate additional embodiments having a plurality of attenuators. In such embodiments, the plurality of attenuators may be located within the chamber oriented in varying angles relative to the end of the intake tubes, the noise source, and/or the housing components. While the attenuators may vary in size, length, quantity, shape, angle, and/or location, they may divert the airflow pathway and thereby create additional broadband noise, however, the primary purpose of the attenuators is to reduce the amount of noise exiting the CPAP device.

In embodiments having an attenuator, the attenuators may further comprise a dissipative element, noise attenuating coating, and/or a noise attenuating material attached thereto.

Device 100 additionally includes connector portion 185 to couple lower housing 180 and upper housing together, thereby creating a seal. In the depicted example, the connector portions 185 are around the perimeter of the housing and a fastener, such as a screw, is used to couple the housing. Additionally or alternatively, the edge 182 of the housing may provide a coupling and/or sealing mechanism. For example, edge 182 may have a tongue and groove. Edge 182 may also include a seal, such as santoprene or silicone.

FIGS. 4B-D illustrate additional embodiments of device 400 with additional or alternative configurations of attenuators for reducing noise output. FIG. 4B shows a “V” shaped attenuator 422 positioned in chamber 430 near tube 415 and angled attenuator 425 positioned in chamber 423 near inter-chamber tube 416. FIG. 4C depicts curved attenuator 424 positioned in chamber 430 near tube 415 and parallel attenuator 425 positioned in chamber 423 near and approximately parallel to the opening of interchamber tube 423. FIG. 4D depicts attenuator 426 and attenuator 429 positioned in chamber 430 near tube 415. Attenuator 426 has a first portion 427 that is approximately parallel to tube 415. Attenuator 426 additionally includes an angled portion 428 that is angled from portion 427 and directs air approximately toward tube 416. Attenuator 429 is angled from housing 480. FIG. 4C additionally includes an intake chamber 411, which in certain approaches, is similar to previously described intake chamber 310. Intake chamber 411 includes attenuators 413.

Each type of attenuator (422, 423, 424, 425, 426, 427, 431) alters the flow of air from through device 400, for example, from intake tube 415 to interchamber tube 416. The attenuators can be used individually or in any combination. Additionally, attenuators of other shapes may also be used, such as those with additional curves, different angles, additional extensions, and combinations of curves and linear portions. The attenuators are used to create unique air flow paths, which also have the important effect of altering and reducing the noise properties of device 400. Although not depicted, similar attenuators may also be used in chamber 434, for example, near interchamber tube 416 or around blower 440.

FIG. 5 illustrates a low-pass acoustic filter system. The equation below describe the effects modifying each geometrical section of the filter system has on the system.

$$T_x = \left(\frac{1}{1 + \left(\frac{S_1 - S}{2S} \right) kL} \right) \tag{Equation 1}$$

In Equation 1, T is the power transmission, also referred to as the acoustic output, sound level, or noise level; k is the wavenumber of the sound; S1 is the area of an acoustic chamber; L is the length of an acoustic chamber; and S is the area of an inlet port or tube. Thus, if S1 increases in size, L increases in length or S decreases in area, then the power transmission T is reduced.

In accordance with the present disclosure, the area of the respective acoustic chamber (S1) and the area of its inlet port (S) may have a proportional relationship. For example, the area of the chamber may be larger than the area of the inlet port by a factor of 2. In additional embodiments, S1 may be larger than S by a factor ranging from a factor of approximately 2 to a factor of approximately 20 or more. In at least one embodiment, S1 is larger than S by a factor of about 10. Additionally, the length of L may be increased wherein the portion of the tube and the acoustic chamber effectively act as single chamber, thus decreasing the amount of noise emanating from the system.

Referring to FIG. 5, the inlet pathway defined by S is smaller than the upstream portion of the acoustic chamber. In accordance with equation 1, when S is reduced relative to S1, then T or the noise level is attenuated. By increasing L (the length of the acoustic chamber), the noise may be further attenuated. In addition, if the inlet pathway is sufficiently long, the effective length of the acoustic chamber increases from L to L1, thus also reducing the noise of the system. As illustrated in the Appendix, data supports the increase in length of intake tubes helps decrease the amount of noise escaping the system. Thus, longer inlet or sections of tubes help attenuate the noise of the system.

There exists a proportional relationship between the length of the inlet tube or port and the cross-sectional area of the inlet port with the volume (and length) of the receiving acoustic chamber. However, by increasing the length of the inlet port and restricting the cross-sectional area of the inlet port causes the resistance to air flow in the system. This may in turn cause a blower disposed inside an acoustic chamber to have to work harder, which may result in an increase in noise generation from the blower (and motor of the blower). Thus, a balancing and optimization step is often required when trying to create a sufficiently portable PAP device that is both quiet and small in size. Equation 2, illustrates this relationship of increasing modifying the various dimensions of the inlet port and the effect it has on the increased motor work and noise.

$$\text{Resistance of air flow} \propto \frac{\text{Length inlet}}{\text{Area inlet}} \propto \text{Motor Work} \propto \text{Motor Noise} \tag{Equation 2}$$

Another way of describing this is a smaller inlet diameter increases air flow resistance, which increases motor noise. Some practical steps have been incorporated to also position inlet ports on the PAP device such that they point away from the ears of the user. For example, in several of the figures the inlet port is on the opposite end of the outlet port and adapters, which lead to the tubing that takes air to the mask placed over the user’s nose and/or mouth. In several instances most of the noise escaping the system leaves through the inlet port.

13

Equation 1 can also be used to describe the relationship between length and noise attenuation in an individual tube. In the case of a single, individual tube, **51** is equal to *S*. Accordingly, the noise output *T* is reduced when the tube is lengthened (*L* is increased). This characteristic is important because the length of the intake tube (such as intake tube **115**) can be used to decrease the noise of the PAP device (such as device **100** and other systems and methods described herein).

Equation 3 describes the relationship between the cut-off frequency of the acoustic filtering and the length and areas of the chamber and tube:

$$f_c = \left(\frac{Sc}{\pi L(S_1 - S)} \right) \quad \text{Equation 3}$$

In equation 3: f_c is the cutoff frequency; *c* is the speed of sound; *S*₁ is the area of the expansion chamber; *L* is the length of the tube or chamber; and *S* is the area of inlet port. Thus, as *L* or *S*₁ become larger in value, and/or *S* becomes smaller, the cutoff frequency becomes lower and every frequency above the cutoff frequency is significantly attenuated. In practical terms, the cutoff frequency f_c can be reduced by increasing the ratio of *S*₁:*S*, for example by decreasing the area of the inlet and/or increasing the area of the acoustic chamber. Additionally, lengthening the acoustic chamber (increase *L*) will also reduce the cutoff frequency.

In embodiments where the inlet ports include an intake tube, the intake tubes may extend from the furthest attenuator in the attenuating intake chamber and into the acoustic chamber. The length of the intake tube may range from approximately 1 inch to approximately 3 inches or longer. In certain approaches, the intake tube (such as intake tube **115**, **215**, **315**, or **415**) has a fixed diameter of 3/8 inch and is approximately 3 inches long. In accordance with FIG. 5, equation 1, and equation 2, the length and diameter of the intake tube may be adjusted to affect the overall noise attenuation of the PAP device. Similarly, the interchamber tube and outlet tube may be adjusted to affect the noise output of the PAP device.

In order to maximize the length of the intake tube so as to further attenuate the noise of the device, the tube may be angled, have one or more bends or turns in any 3-dimensional direction, or it may have a spiral-like configuration. For example, in FIG. 2A, FIG. 3, and FIG. 4D, the intake tube has two bends thereby creating an intake tube having an "S" shape. Similarly, interchamber tubes and outlet tubes may also include bends, turns, angles, spirals, or other configurations.

As disclosed herein, tubes within the systems described herein may be formed using rigid materials, flexible materials, or any combination thereof. For example, in some embodiments, an intake tube may be formed using a hard plastic. In other embodiments, an intake tube may be formed using flexible polyvinylchloride (PVC) tubing, silicone tubing, or any other type of tubing commonly used in the art. In certain embodiments, intake tubes are formed from more than one material.

FIG. 6, FIG. 7A, and FIG. 7B depict simplified drawings to illustrate the sound deflection properties of attenuators, and accordingly, do not include all the element previously described. FIG. 6 illustrates one example of an attenuator found in previous CPAP devices. Device **600** includes an intake tube **615** leading into chamber **640** with an attenuator **620**. The configuration and angle of attenuator **620** deflects sound (represented by the arrows) back through the device. The sound may be generated, for example, by the blower.

14

Importantly, attenuator **620** is angled such that it opens towards chamber **640**. For example, attenuator **620** may form an obtuse angle α with wall **681** of housing **680**.

FIG. 7A depicts an end attenuator **720**, which is positioned near the intake end **717** of intake tube **715**. End attenuator **720** deflects sound (represented by the arrows) generated from device **700** back through tube **715** and into chamber **750** of device **700**, where it can dissipate or be absorbed instead of reaching the user. End attenuator **720** may also absorb some portion of the sound. FIG. 7B illustrates a related configuration within device **701**. Device **701** includes attenuator **722**. Importantly, attenuator **722** is positioned such that it does not open directly toward chamber **740**, unlike attenuator **620** does in relation to chamber **620**. The space between tube **715** and chamber **740** is smaller near tube **715** than near wall **781** of housing **780**. For example, attenuator **720** may form an acute angle β with wall **781** of housing **780**. Accordingly, attenuator **720** is less likely to deflect sound waves back into tube **715**. As shown by the arrows, sound waves will be deflected primarily away from tube **715** and may dissipate and be absorbed within device **701**, rather than reaching the user. In certain approaches, attenuators **720** and **722** may both be used in a PAP device, and may be used with other attenuators, systems, and methods for attenuating the sound, such as tubes with bends, combinations of attenuators, and anechoic sound-reducing materials.

FIG. 8A and FIG. 8B depict the exterior a PAP apparatus having an internal pressure sensor. CPAP device **800** is similar to previously described CAP devices and apparatuses, such as devices **100**, **200**, **300**, **400**, **700**, and **701**. Device **800** has a lower housing component **880**, which together with an upper housing component **884**, define the interior and exterior of device **800**. In certain approaches, the interior of device **800** is similar to those depicted in previous figures.

Inlet port **810** includes an intake tube **815** having a first end **812** extending through lower housing **880** and a second end (not depicted in this figure) that extends to the interior chamber (not depicted in this figure) of device **800**. Intake tube **815** may have either a constant or varying internal diameter ranging from approximately 0.25 inches to approximately 0.75 inches and may have a length ranging from approximately 0.25 inches to approximately 3 inches, although any appropriate diameter and length may be used. The length and diameter of intake tube **815** affect the overall noise attenuation of the CPAP device, as previously discussed. Accordingly, in some approaches, the dimensions of intake tube **815** are proportionally related to the volume of chamber **830**.

Intake tube **815** may be formed using rigid materials, flexible materials, or any combination thereof. For example, intake tube **815** may be formed using a hard plastic. In certain embodiments, intake tube **815** is composed of flexible polyvinylchloride (PVC) tubing, silicone tubing, or any other type of tubing commonly used in the art.

Device **800** includes an outlet port **839**, through which device **800** provides pressurized air. An adapter **860** may be used to connect outlet port **839** to a patient interface, such as a mask.

Apparatus **800** includes a control panel **886** with digital display **888** and user interface buttons **885** for controlling and using apparatus **800**. For example, a user may be able to turn the power on and off, adjust pressure settings, set a timer, run system diagnostic tests, and control or adjust other functions. Display **888** may be any appropriate display, including, but not limited to an LED or LCD display. Although 1-3 user interface buttons **885** are depicted, any appropriate number of buttons may be used. In certain approaches, a PAP apparatus, such as apparatus **800**, may include between 1 and 10 user

interface buttons. In certain approaches, user interface buttons are included in display **888**. For example, display **888** may be a capacitive or pressure sensitive touch screen display. Further, control panel **886** and display **888** may vary in size between different embodiments. For example, some embodiments may include a larger display, while other embodiments may include a smaller display. Display **888** may display data or control functions, such as pressure levels, time, use time, or other information. Display **888** may show one piece of data or function or a plurality of data and functions.

In certain embodiments, apparatus **800** includes a pressure port **862**. Pressure port **862** has a first end **864** on the exterior of lower housing **880** and upper housing **884**. First end **864** is coupled to adapter **860**. Pressure port **862** provides fluid communication from the output of device **800** at adapter **860** to a pressure sensor within device **800**. In certain approaches, the pressure sensor is coupled to control circuitry (not depicted) within device **800**. The control circuitry of device **800** is configured to display the pressure measured through pressure port **862** at display **888** of control panel **886** on upper housing **884**.

In certain embodiments, the pressure output of device **800** may be adjusted manually by the user with user interface buttons **885**. In certain approaches, the control circuitry of device **800** is configured to automatically adjust the output of device **800** based on the pressure measurements. The output of device **800** may be adjusted, for example, by modulating the power of the blower.

During operation, PAP device **800** creates positive air pressure through outlet port **839**. For example, when a patient interface is attached to adapter **860**, PAP device **800** creates positive air pressure, which can be provided to the patient when the patient places an adapter, such as a mask, at his or her airways (e.g., nose or mouth).

As depicted in FIG. **8B**, device **800** may include an intake cover **890**. In certain embodiments, air may be passed through intake cover **890** before entering inlet port **810**. Intake cover **890** serves to prevent the occlusion of inlet port **810** during use of device **800**. Intake cover **890** includes a vented portion **892** to allow the pass through of air during operation of device **800**. In certain embodiments, intake cover **890** may include a filter to clean the air of particulate matter. In certain embodiments, intake cover **890** is removable so that it may be cleaned, replaced, or adapted for a particular need. In certain embodiments, intake cover **890** includes attenuators, such as those previously described.

In certain approaches, the pressurized air is delivered to a patient through a patient interface at a pressure ranging from approximately 2 centimeters (cm) of water to approximately 40 cm of water above atmospheric pressure at the point of use, although any appropriate pressure may be used.

FIG. **9A** depicts one embodiment of an acoustically invisible cover **900**. Cover **900** may be similar to cover **890** and is positioned on the housing over the inlet port (such as inlet ports **122**, **222**, **322**, **410**, or **810**) to prevent occlusion of the inlet port during use. Cover **900** includes a first portion **904**, which is shaped similar to the housing of a PAP device (such as devices **100**, **200**, **300**, **400**, **700**, **701**, and **800**) so that it can couple directly to the housing. Cover **900** includes a flow portion **902**, which is sufficiently porous so that air can flow through it. In certain embodiments, flow portion **902** is constructed of a mesh material, such as a metal or plastic. For purposes of this application acoustically invisible refers to not increasing the generated noise by more than 3 dBA. Ideally the increase in dBA is less than 1 dBA, less than 0.5 dBA and negligible.

FIG. **9B** depicts an embodiment of an acoustically invisible cover **910**. Cover **910** may be similar to cover **890** or cover **900** and is positioned on the housing over the inlet port (such as inlet ports **122**, **222**, **322**, **410**, or **810**) to prevent occlusion of the inlet port during use. Cover **910** includes a first portion **914**, which is shaped similar to the housing of a PAP device (such as devices **100**, **200**, **300**, **400**, **700**, **701**, and **800**) so that it can couple directly to the housing. Cover **910** includes flow portion **912**, which is sufficiently porous so that air can flow through it. For example, flow portion **912** may be constructed of paper or mesh. In certain approaches, flow portion **912** includes vents such as vents **916**. In a design where flow portion **912** is not porous and solid the vents **916** may actually increase the dBA, such that it is no longer acoustically invisible.

In certain embodiments, intake cover **900** and intake cover **910** include attenuators, such as those previously described in relation to PAP devices **100**, **200**, **300**, **400**, **700**, **701**, and **800**.

In the absence of any additional outside attenuators, the CPAP device disclosed herein, having one interior attenuator, produces noise levels of about 27 dBA.

The above description is merely illustrative. Having thus described several aspects of at least one embodiment of this invention including the preferred embodiments, it is to be appreciated that various alterations, modifications, and improvements will readily occur to those skilled in the art. Such alterations, modifications, and improvements are intended to be part of this disclosure, and are intended to be within the spirit and scope of the invention. Accordingly, the foregoing description and drawing are by way of example only.

What is claimed is:

1. A noise attenuating system for use with ventilation or other systems providing a flow of gas comprising:
 - an expansion chamber having a volume;
 - an intake tube having an inlet and outlet port separated by a length, wherein a portion of the inlet port extends outside of the expansion chamber;
 - a noise attenuator having a bottom and protruding sidewall forming a cavity, wherein the noise attenuator is positioned over the inlet portion of the intake tube such that a portion of the intake tube extends into the cavity portion of the noise attenuator; and
 - a first acoustic deflector positioned near the outlet port of the intake tube, wherein a surface of the acoustic deflector facing the outlet port of the intake tube being positioned so as to form an acute angle between the surface of the acoustic deflector and a proximate sidewall of the expansion chamber from which the intake tube extends, wherein noise is deflected away from the outlet port of the intake tube.
2. The system of claim 1, wherein the intake tube length ranges from 0.25 inches to 3.5 inches.
3. The system of claim 1, further comprising a plurality of additional acoustic deflectors disposed within the cavity portion of the noise attenuator.
4. The system of claim 3, wherein at least one the additional acoustic deflectors extends from the sidewall and is aligned substantially parallel to the bottom of the noise attenuator.
5. The system claim 3, wherein the first acoustic deflector extends from the sidewall and is angled into the cavity of the noise attenuator.
6. The system of claim 1, further comprises a noise dissipating element disposed within the cavity portion of the noise attenuator.
7. The system of claim 6, wherein the noise dissipating element is a porous material.

17

8. The system of claim 3, wherein a portion of at least one acoustic deflector is covered by a noise dissipating material.

9. The system of claim 1, wherein the expansion chamber further comprises an acoustic deflector positioned near the outlet portion of the intake tube.

10. The system of claim 9, wherein the acoustic deflector is angled with respect to a plane defining the outlet portion of the intake tube.

11. The system of claim 10, wherein a back-side of at least one acoustic deflector is positioned to deflect noise emanating from a region within the expansion chamber having the greatest noise intensity, wherein the noise is deflected away from the outlet port of the intake tube.

12. A noise attenuating system for use with ventilation or other systems providing a flow of gas comprising:

an expansion chamber having a volume;

an intake tube having an inlet and outlet portion separated by a length, wherein a portion of the inlet port extends outside of the expansion chamber; and

a first acoustic deflector positioned near the outlet port of the intake tube extending from a proximate sidewall of the expansion chamber, wherein the first acoustic deflector is positioned near the outlet port of the intake tube, wherein a surface of the first acoustic deflector is facing the outlet port of the intake surface being positioned so as to have an acute angle between the surface and the proximate sidewall of the expansion chamber from which the acoustic deflector extends, wherein noise is deflected away from the outlet port of the intake tube.

13. The system of claim 12, wherein the expansion chamber is an acoustic chamber.

14. The system of claim 12, wherein the volume of the expansion chamber is less than 300 milliliters.

15. The system of claim 1, wherein the volume of the expansion chamber is less than 200 milliliters.

16. The system of claim 12, further comprising a second intake tube extending from the expansion chamber into a second acoustic chamber.

17. The system of claim 12, wherein the intake tube length ranges from 0.25 inches to 3.5 inches.

18. The system of claim 12, further comprising a noise attenuator comprising a bottom and protruding sidewall that define a cavity, wherein the noise attenuator is positioned over the inlet port of the intake tube such that a portion of the intake tube extends into the cavity of the noise attenuator.

19. The system of claim 18, further comprising a plurality of additional acoustic deflectors disposed within the cavity of the noise attenuator.

20. The system of claim 19, wherein at least one additional deflector extends from the sidewall and is aligned substantially parallel to the bottom of the noise attenuator.

18

21. The system claim 19, wherein at least one additional deflector extends from the sidewall and is angled into the cavity of the noise attenuator.

22. The system of claim 18, further comprises a noise dissipating element disposed within the cavity portion of the noise attenuator.

23. The system of claim 22, wherein the noise dissipating element is a porous material.

24. The system of claim 19, wherein a portion of at least one acoustic deflector is covered by a noise dissipating material.

25. A positive air pressure apparatus, comprising:
a housing;

an intake chamber positioned within the housing, the intake chamber having an intake vent positioned on an interior wall of the housing and an attenuator, wherein the attenuator is positioned within the intake chamber; an acoustic chamber positioned within the housing and separated from the intake chamber by a chamber wall;

an inlet port coupling the intake chamber and acoustic chamber through the chamber wall;

a blower unit positioned in the acoustic chamber; and wherein the acoustic chamber further comprises a first acoustic deflector positioned near an outlet port of the intake tube extending from a proximate sidewall of the acoustic chamber, wherein the first acoustic deflector is positioned near the outlet port of the intake tube, wherein a surface of the first acoustic deflector facing the outlet port of the intake tube is positioned thereby forming an acute angle between the surface of the first deflector and the proximate sidewall of the acoustic chamber.

26. A positive air pressure apparatus, comprising:

a housing, wherein the housing defines a first and a second acoustic chamber, the first acoustic chamber having a first inlet port, and the second acoustic chamber having a second inlet port, wherein the first inlet port extends through an exterior wall of the housing and the second inlet port extends from the first acoustic chamber into the second acoustic chamber;

an attenuator positioned in the first acoustic chamber; a blower unit positioned within the second acoustic chamber; and

wherein the acoustic chamber further comprises a first acoustic deflector positioned near an outlet port of the intake tube extending from a proximate sidewall of the expansion chamber, wherein the first acoustic deflector is positioned near the outlet port of the intake tube, wherein a surface of the first acoustic deflector is facing the outlet port of the intake tube being positioned so as to form an acute angle between the surface and the proximate sidewall of the acoustic chamber, wherein noise is deflected away from the outlet port of the intake tube.

* * * * *